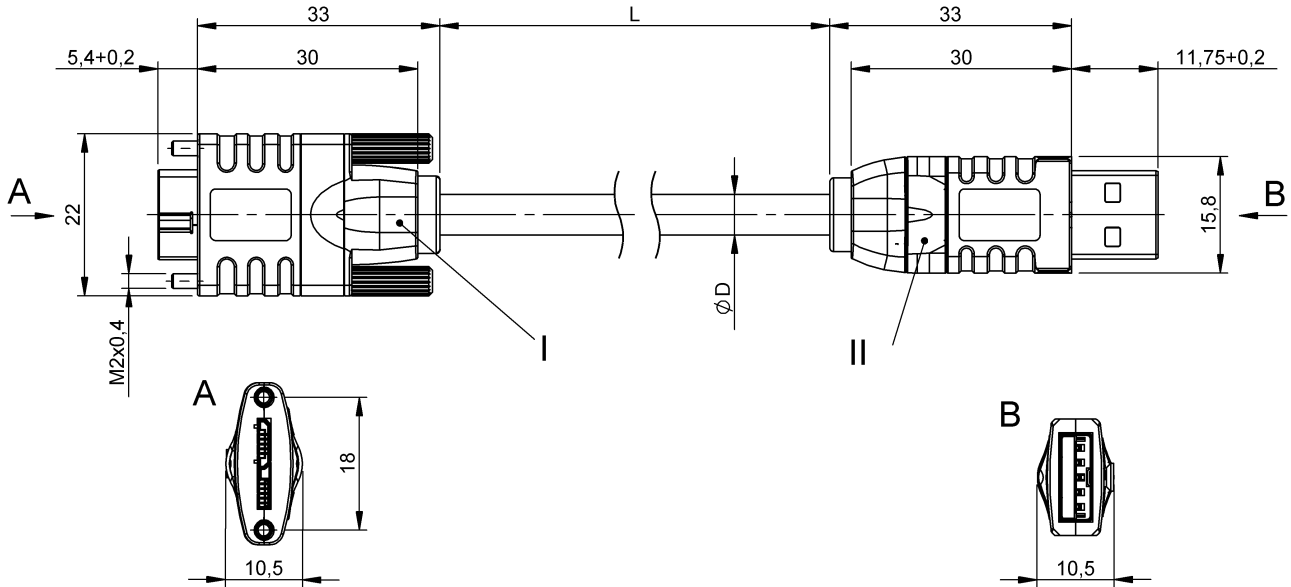


Double-Ended Cordsets  
**BCC U0AA-U019-90-736-Z19004-030**  
 Order Code: BCC0KLA

**BALLUFF**



**Basic features**

Approval/Conformity WEEE

**Electrical connection**

**Cable** PVC Shielded black, 3 m  
**Cable diameter D** 6.20 mm ±0.20 mm  
**Conductor cross-section** 22 AWG/26 AWG/28 AWG  
**Connection 1** USB 3.0 Micro-B-Male, straight, 10-pin  
**Connection 2** USB 3.0 Standard-A-Male, straight, 9-pin  
**Number of conductors** 8  
**System** Molded/Molded

**Electrical data**

**Conductor construction** 3x2 twisted-pair + 2  
**Operating voltage  $U_b$**  5 VDC  
**Rated current (40 °C)** 0.1 A

**Environmental conditions**

**Cable temperature, fixed routing** -10...80 °C  
**IP rating** IP20/IP20

**Material**

**Cable jacket material, note** Shielded  
**Cable jacket, material** PVC

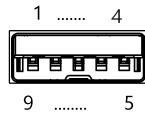
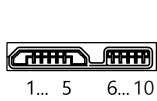
**Mechanical data**

**Cable jacket, color** black  
**Cable length L** 3.00 m

**Remarks**

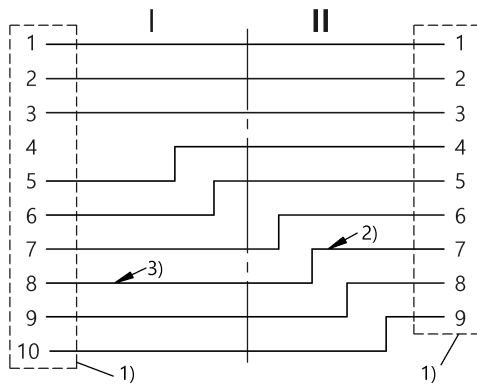
Enclosure rating per IEC 60529 or ISO 20653, only in screwed state with the associated mating piece.

## Connector Drawings



I	PIN 1: red	PIN 1: red
PIN 1: red	PIN 2: white, pair 1	PIN 2: white, pair 1
PIN 2: white, pair 1	PIN 3: green, pair 1	PIN 3: green, pair 1
PIN 3: green, pair 1	PIN 4: black	PIN 4: black
PIN 4: not used	PIN 5: blue, Pair 2	PIN 5: blue, Pair 2
PIN 5: black	PIN 6: yellow, pair 2	PIN 6: yellow, pair 2
PIN 6: blue, pair 2	PIN 7: Shield	PIN 7: Shield
PIN 7: yellow, pair 2	PIN 8: violet, pair 3	PIN 8: violet, pair 3
PIN 8: Shield	PIN 9: orange, pair 3	PIN 9: orange, pair 3
PIN 9: violet, pair 3		
PIN10: orange, pair 3		

## Wiring Diagrams



- 1) Shield 1 on housing
- 2) Shield 2 on PIN 7
- 3) Shield 2 on PIN 8